

Overview

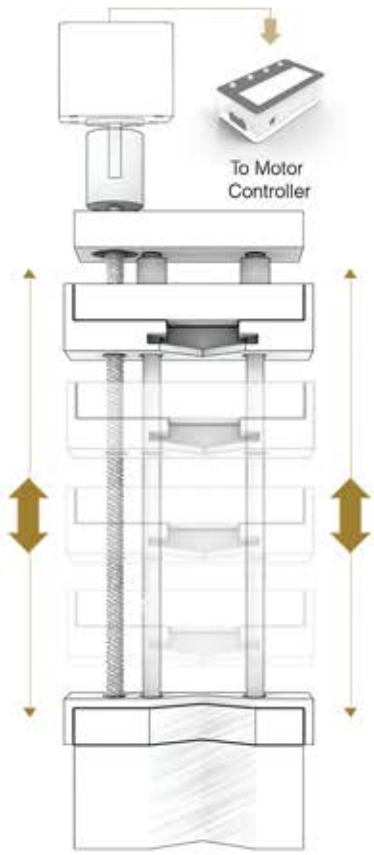
- Precise fluid flow
- Wide working range
- Plug & play usage
- Interactive user interface
- Durable mechanical structure

Applications

- Biomedical research
- Microfluidics
- Fluid transport for chromatography
- Fluid and drug delivery for electrospinning
- Chemical processes

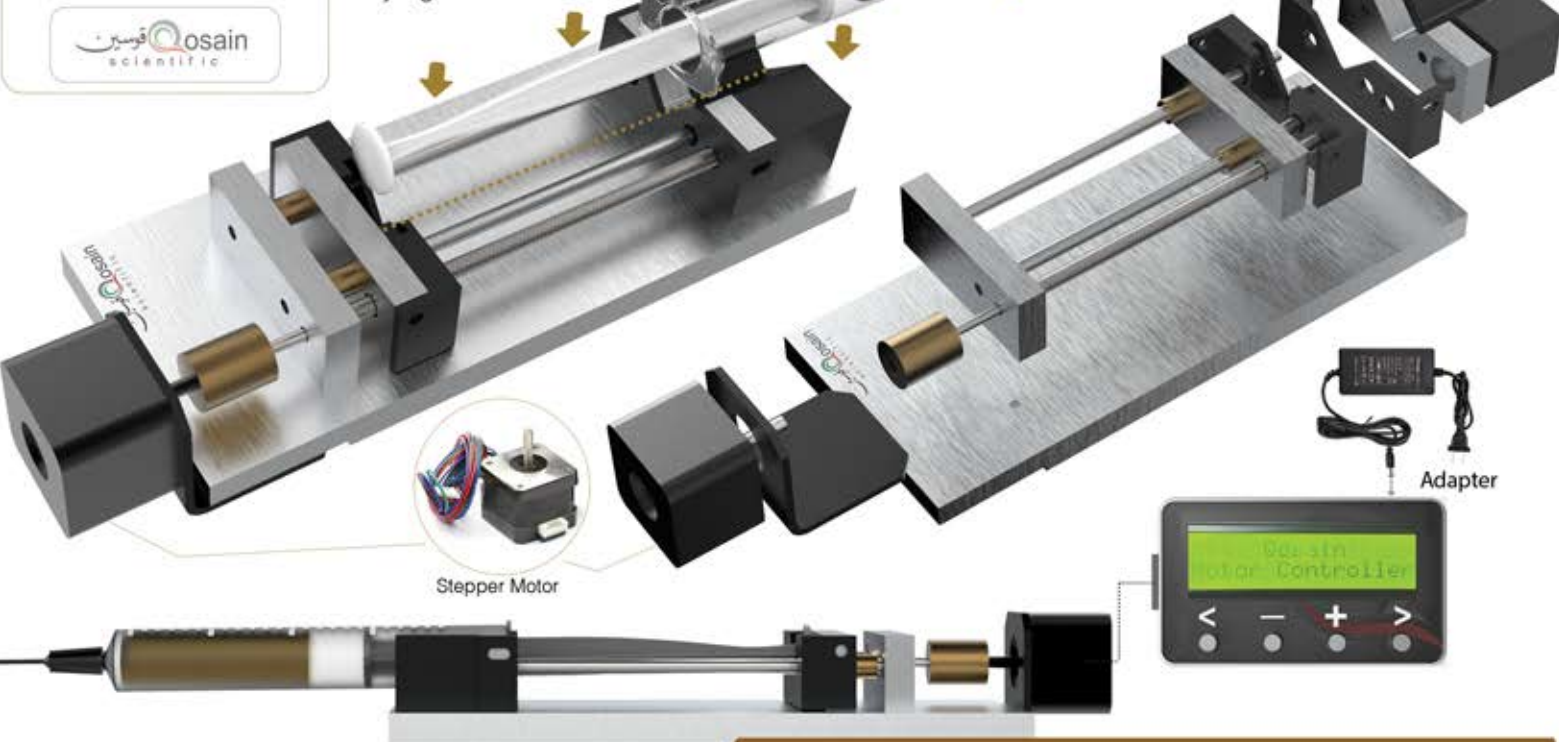
Description

Qosain Scientific's Syringe pump is a reliable and precise fluid pump that can be used with a variety of pharmaceutical syringes glass or plastic. The metallic structure provides the rigidity and firmness necessary to achieve higher precision and convenient units to tighten the syringe in the plunger assembly. The user can configure the flow rate and volume to flow using a simple to use interface provided by Qosain Scientific's general-purpose stepper motor controller. Since the pump uses a stepper motor to drive the syringe plunger, there is virtually no lower limit of the flow rate that can be achieved.



Qosain Scientific will provide the complete solution packaged with the motor controller.

Qosain Scientific can provide a model with the option of loading multiple syringes.



Exploded View

Adapter

Stepper Motor